

tem

# An Ultra Compact model with "Quattro-Pack" Capability is now lined up !



# TWQ

## Quattro-Pack V.F.F.S

Triangle shape  
"Quattro-Pack" is lined up

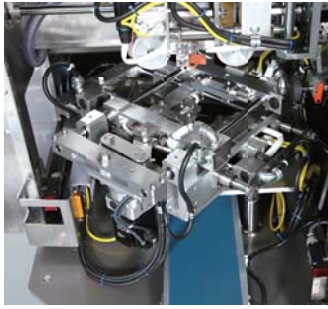
High-speed capability (max.100bpm)  
and Seal-Contamination  
Detect function are standard features.

Very compact size saves  
huge footprint.

# New packaging style = "Quattro-Pack" is realized with this compact machine



## Equipped with Max.100bpm and Seal-Contamination Detect Function



Servo-motor controlled End-sealing enables high-speed packaging, and a Seal-Contamination Detect Function is now standard feature.

## Robust and Compact structure

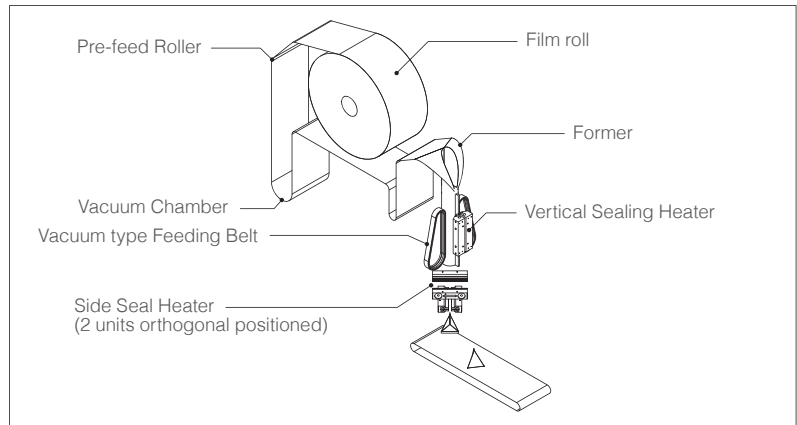


Staying at the base of robust structure unique to us, a dramatic downsizing, from our traditional TWN series, is achieved while allowing installation within small footprint.

## Machine Specifications

<b>Bag Style</b>	Quattro-pack, pillow pack, 3-sided seal	
<b>Bag dimensions</b>	W	40-95mm
	L	45-130mm
<b>Bag material</b>	Various Laminated film	
<b>Packaging Speed</b>	Max.100bpm	
<b>Power supply</b>	3-phase 200V, 50/60Hz, approx. 12kVA	
<b>Power Consumption</b>	6.0kW	
<b>Air Consumption</b>	300L (Normal)/min. *at 100bpm	
<b>Machine dimensions</b>	Width 985mm, Depth 1466mm, Height 1350mm	
<b>Machine weight</b>	775kg	
<b>Options available</b>	Thermal printer, Printing inspection, Gas Flushing device, etc.	

## Packaging flow image

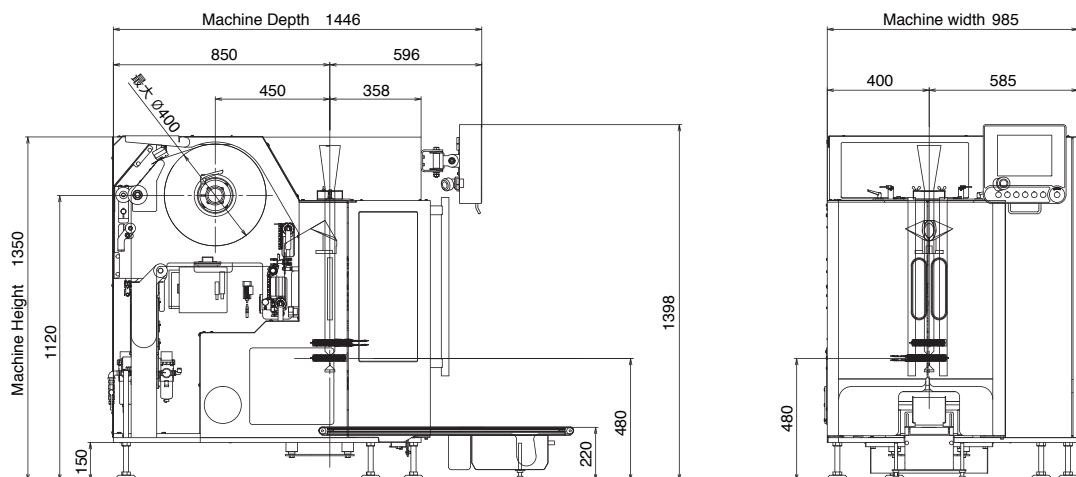


## Packaging Style



\*Above specification varies depending on the product to be wrapped, packaging material or bag style.

## External Dimensions (unit : mm)



Appearance and/or specifications of this machine are subject to change for improvement.

## Tokyo Automatic Machinery Works, Ltd.

TOJIKI BLDG.,3-10-7 Iwamotocho,Chiyoda-Ku,Tokyo 101-0032 Japan  
TEL: 81-3-3866-4824 FAX: 81-3-3866-7150

URL: <http://www.tam-tokyo.co.jp/> E-mail: [tam-overseas@tam-tokyo.co.jp](mailto:tam-overseas@tam-tokyo.co.jp)

Agent: